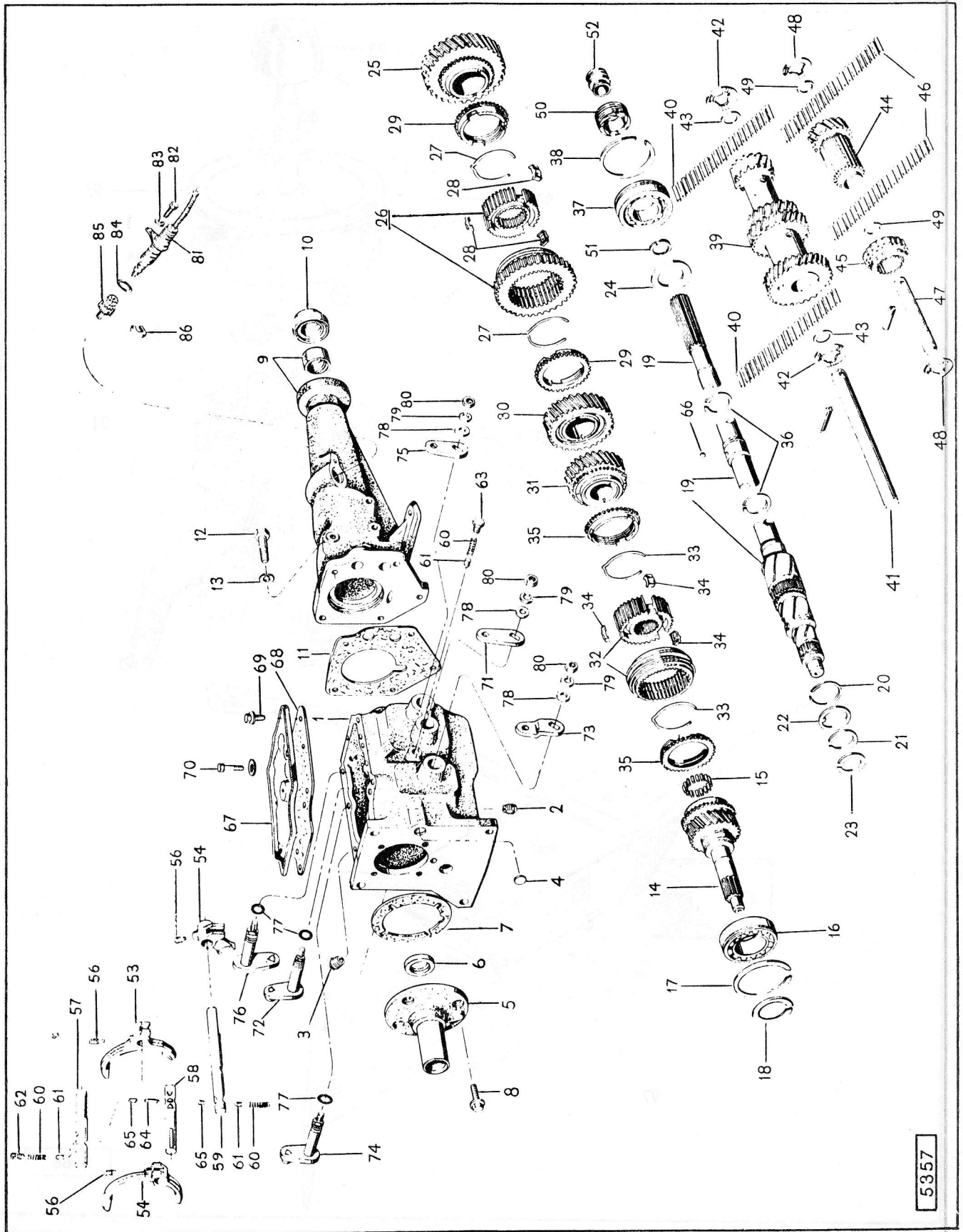


SECTION GF

GEARBOX (Transmission) UNIT (and Floor Change Control)

NOTE.—This Gearbox (Transmission) Unit is fitted from
Chassis No. B9470057.

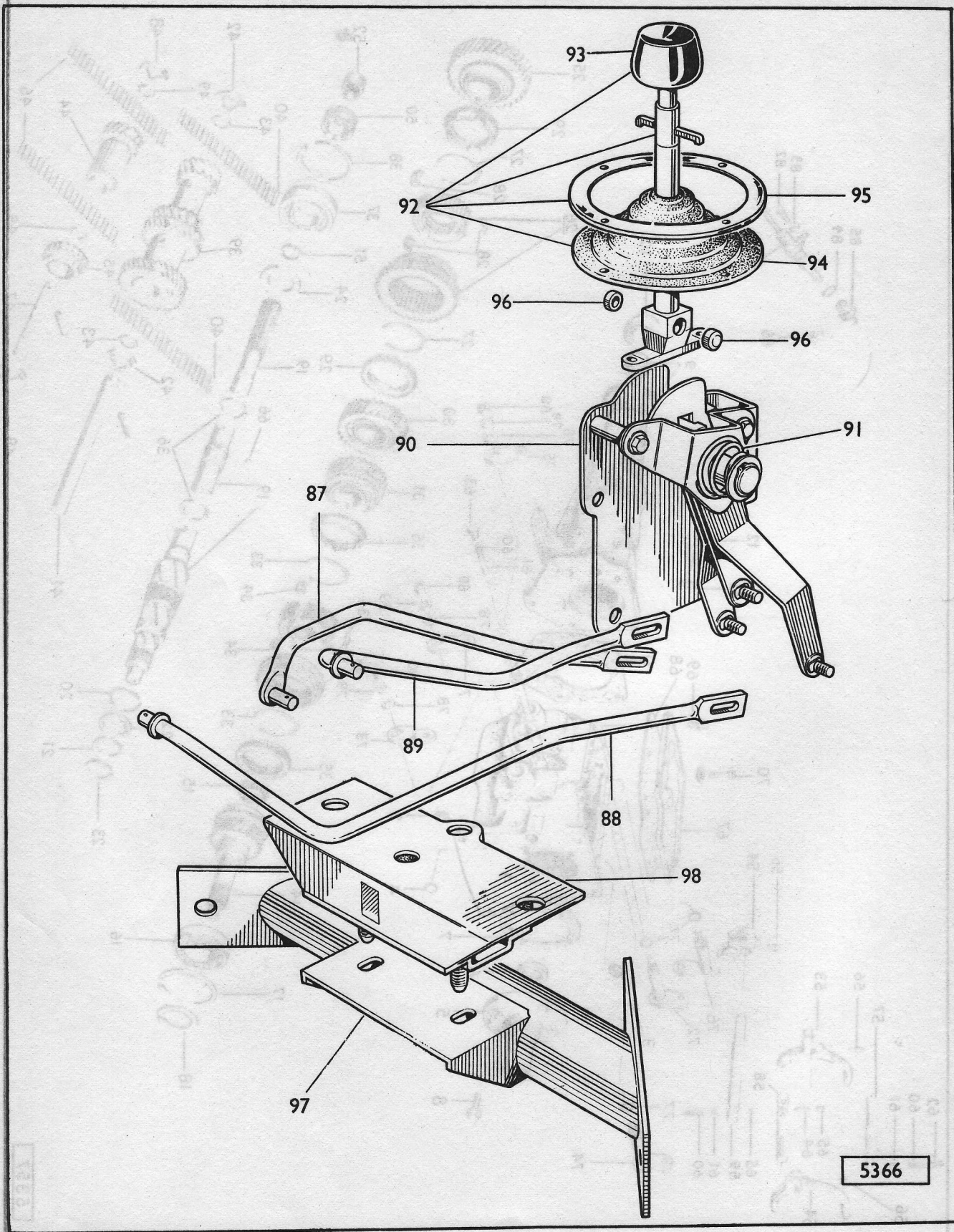
GEARBOX (Transmission) UNIT



5357

PLATE A — SECTION GF

GEARBOX (Transmission) UNIT



5366

PLATE B — SECTION GF

GEARBOX (Transmission) UNIT

Plate Ref.	Rootes Part Number	DESCRIPTION	No. per Veh.	REMARKS
	6100004	GEARBOX (Transmission) UNIT	1	Mk. I
	6100714	GEARBOX (Transmission) UNIT	1	Mk. II
A1	6100218	Casing	1	Mk. I
	6100826	Casing	1	Mk. II
A2	6100586	Drain plug, $\frac{1}{2}$ "	1	
A3	6100585	Filler plug, $\frac{1}{2}$ "	1	
A4	6100579	Welsh plug, $\frac{11}{16}$ "	1	
A5	6100438	RETAINER—Input shaft—Gear bearing	1	Mk. I
	6100945	RETAINER—Input shaft—Gear bearing	1	Mk. II
A6	6100267	Oil seal—Input shaft	1	
A7	6100268	Gasket—Retainer	1	Mk. I
A8	6100582	Bolt, $\frac{5}{16}$ " \times $\frac{3}{4}$ " hex.—Retainer to casing	4	
A9	6100263	Extension assembly	1	
A10	6100264	Oil seal } Extension	1	Mk. I
	6100827	Oil seal }	1	Mk. II
A11	6100265	Gasket	1	
A12	6100572	Bolt, $\frac{7}{16}$ " \times $1\frac{1}{4}$ " hex. } Extension to casing	5	
A13	6100581	Washer, $\frac{7}{16}$ " lock }	5	
A14	6100256	INPUT (Primary) SHAFT	1	Mk. I
	6100949	INPUT (Primary) SHAFT	1	Mk. II
A15	6100257	Rollers } Input (Primary)	15	
A16	6100490	Bearing } shaft		
A17	6100258	Snap ring } Bearing	1	
A18	6100259	Snap ring }	1	
A19	6100235	MAINSHAFT	1	Mk. I
	6100828	MAINSHAFT	1	Mk. II
A20	6100241	Snap ring—Synchro	1	
A21	6100488	Retaining ring	1	
A22	6100243	Thrust washer } Mainshaft	1	Mk. I
	6100842	Thrust washer }	1	Mk. II
A23	6100259	Snap ring	1	
A24	6100449	Thrust washer	1	
A25	6100236	1st SPEED WHEEL (Gear)	1	
A26	6100237	Synchroniser assembly }	1	Mk. I
	6100845	Synchroniser assembly }	1	Mk. II
A27	6100239	Spring } Retainer	2	Mk. I
	6100873	Spring }	2	Mk. II
A28	6100238	Insert—Synchro hub	3	
A29	6100240	Baulking ring	2	
A30	6100242	2nd SPEED WHEEL (Gear)	1	Mk. I
	6100829	2nd SPEED WHEEL (Gear)	1	Mk. II
A31	6100244	3rd SPEED WHEEL (Gear)	1	Mk. I
	6100841	3rd SPEED WHEEL (Gear)	1	Mk. II
A32	6100245	Synchroniser assembly	1	
A33	6100239	Spring—Retainer	2	3rd and 4th...
A34	6100246	Insert—Intermediate and high synchroniser } speed	3	
A34	6100246	Insert—Intermediate and high synchroniser }	3	
A35	6100240	Baulking ring	2	
A36	6100489	Snap ring—Mainshaft	3	
A37	6100491	Bearing—Rear	1	Mk. I
	6100490	Bearing—Rear	1	Mk. II
A38	6100492	Retaining snap ring	1	

GEARBOX (Transmission) UNIT

Plate Ref.	Rootes Part Number	DESCRIPTION	No. per Veh.	REMARKS
GEARBOX (Transmission) UNIT—continued				
A39	6100230	LAYSHAFT CLUSTER (Countershaft gears) ...	1	Mk. I
	6100843	LAYSHAFT CLUSTER (Countershaft gears) ...	1	Mk. II
A40	6100231	Rollers—Layshaft ...	42	
A41	6100233	Layshaft spindle ...	1	
	6100940	Pin—Layshaft spindle ...	1	
A42	6100232	Thrust washer ... } Layshaft ...	2	
A43	6100575	Washer, $\frac{7}{8}$ " plain } (Countershaft) ...	2	
A44	6100225	REVERSE IDLER GEAR ...	1	
A45	6100226	Reverse idler sliding gear ...	1	
A46	6100227	Rollers—Idler shaft ...	44	
A47	6100229	Shaft—Reverse idler ...	1	
	6100940	Pin—Reverse idler shaft ...	1	
A48	6100228	Thrust washer ... } Reverse ...	2	Mk. I
	6100868	Thrust washer ... } idler gear ...	2	Mk. II
A49	6100574	Washer, $\frac{3}{4}$ " plain ...	2	
A50	6100261	SPEEDOMETER DRIVING WHEEL (Gear) ...	1	Mk. I
	6100710	SPEEDOMETER DRIVING WHEEL (Gear) ...	1	Mk. II
A51	6100493	Snap ring, $1\frac{1}{16}$ " ...	1	
A52	6100262	Oil seal ...	1	
A53	6100248	1st and 2nd selector fork ...	1	
A54	6100249	3rd and 4th selector fork ...	1	
A55	6100250	Reverse selector fork ...	1	Mk. I
	6100847	Reverse selector fork ...	1	Mk. II
A56	6100578	Setscrew—Locking, $\frac{5}{16}$ " \times .92"—Selector forks ...	3	
	6100251	1st and 2nd SELECTOR SHAFT ...	1	
	6100252	3rd and 4th SELECTOR SHAFT ...	1	
	6100253	REVERSE SELECTOR SHAFT ...	1	
	6100254	Shifter interlock spring ...	3	
	6100255	Shifter interlock pin ...	3	
	6100576	Interlock screw, $\frac{3}{8}$ " \times .88" ...	1	Mk. I
	6100577	Bolt, $\frac{3}{8}$ " \times .38" hex.—Gear shift interlock ...	1	
	6100260	Interlock pin—Selector ...	1	
	6100273	Pin—Gear shift interlock rod ...	2	
	9187006	Ball, $\frac{1}{4}$ " dia. ...	1	
A57	6100834	1st and 2nd SELECTOR SHAFT ...	1	
A58		3rd and 4th SELECTOR SHAFT ...	1	
A59		REVERSE SELECTOR SHAFT ...	1	
A60	6100831	Shifter interlock spring ...	3	
A61		Shifter interlock pin ...	3	
A62	6100576	Interlock screw, $\frac{3}{8}$ " \times .88" ...	1	Mk. II
A63	6100577	Bolt, $\frac{3}{8}$ " \times .38 hex.—Gear shift interlock ...	1	
A64	6100260	Interlock pin—Selector ...	1	
A65	6100839	Pin—Gear shift interlock rod ...	2	
A66	6100833	Ball, $\frac{1}{4}$ " dia. ...	1	
A67	6100270	TOP COVER ...	1	
A68	6100269	Gasket ...	1	
A69	6100583	Screw, $\frac{5}{16}$ " \times $\frac{5}{8}$ " hex. } Cover to casing ...	8	
A70	6100584	Screw, $\frac{5}{16}$ " \times 1" hex. }	2	
A71	6100271	1st and 2nd Gear shift lever ...	1	
A72	6100222	Finger assembly } Shift control ...	1	Mk. I
	6100869	Finger assembly } (1st and 2nd) ...	1	Mk. II

GEARBOX (Transmission) UNIT

Plate Ref.	Rootes Part Number	DESCRIPTION	No. per Veh.	REMARKS
GEARBOX (Transmission) UNIT—continued				
A73	6100272	3rd and 4th Gear shift lever	1	
A74	6100222	Finger assembly—Shift control (3rd and 4th)	1	
A75	6100274	Reverse gear shift lever	1	
A76	6100223	Finger assembly—Reverse shift control	1	
A77	6100224	Oil seal—Selector shaft	3	
	6100588	Washer, $\frac{3}{8}$ " plain	3	} Mk. I
	6100566	Lock washer, $\frac{3}{8}$ "	3	
A78	6100838	Washer, $\frac{3}{8}$ " plain } Gear shift levers	3	} Mk. II
A79	6100837	Lock washer, $\frac{3}{8}$ "	3	
A80	6100589	Nut, $\frac{3}{8}$ " hex.	3	
	6100572	Bolt, $\frac{7}{16}$ " \times $1\frac{1}{4}$ " hex.	4	
	6100581	Lock washer, $\frac{7}{16}$ "	4	
	1229844	SPEEDOMETER DRIVE CABLE	1	
	5043561	Inner cable—Speedo drive	1	} R.H.D. } Mk. I
A81	6100013	SPEEDOMETER DRIVE CABLE	1	
	1236137	SPEEDOMETER DRIVE CABLE	1	} L.H.D. } Mk. II
	5058138	Inner cable—Speedo drive	1	
A82	6100563	Bolt, $\frac{1}{8}$ " \times .80" hex. } Cable to	1	} R.H.D. } Mk. I
A83	9660161	Lock washer, $\frac{1}{8}$ " } gearbox	1	
	1229845	Adaptor	1	} R.H.D. } Mk. I
	9107040	"O" ring	1	
	9122252	Sleeve } Speedometer	1	} L.H.D. }
A84	6100014	Seal } cable	1	
	1229845	Adaptor	1	} L.H.D. } Mk. II
	9107040	"O" ring	1	
A85	6100504	SPEEDOMETER DRIVING PINION (15 Teeth)	1	Mk. I
	6100703	SPEEDOMETER DRIVING PINION (17 Teeth)	1	Mk. II
A86	6100015	Retainer—Pinion to cable	1	
GEAR SHIFT MECHANISM				
		Rod—1st and 2nd gear shift	1	} Up to } B9470056
		Rod—3rd and 4th gear shift ... } Not	1	
		Rod—Reverse gear shift ... } supplied	1	
		Control assembly—Gear shift	1	
B87	6100010	Rod—1st and 2nd gear shift	1	} From } B9470057
B88	6100011	Rod—3rd and 4th gear shift	1	
B89	6100009	Rod—Reverse gear shift	1	
B90	6100052	Control assembly—Gear shift	1	
	6100592	Bolt and lock washer assembly, $\frac{1}{8}$ " \times $\frac{3}{4}$ "—Control to gearbox (Transmission) unit	3	
	6100877	Nut, $\frac{1}{8}$ " \times 24 hex. lock—Rods to control assembly	3	
	6100876	Washer, $\frac{3}{8}$ " spring } Rods to	3	} Mk. I
	6100875	Washer, $\frac{3}{8}$ " plain } gear shift	3	
	6100874	Retaining pin } levers	3	
B91	6100018	Spring—Trunnion gear shift	2	

GEARBOX (Transmission) UNIT

Plate Ref.	Rootes Part Number	DESCRIPTION	No. per Veh.	REMARKS
GEAR SHIFT MECHANISM—continued				
B92	6100016	Lever c/w grommet	1	Superseded by 6100663
	6100663	Lever c/w grommet	1	
B93	6100699	Knob—Gearshift lever	1	
	6100700	Locknut—Knob	1	
B94	6100701	Grommet—Gearshift lever	1	
	6100019	Finisher ring (Chrome)	1	Use 1229984
B95	1229984	Finisher ring (Black)	1	
	6100591	Tapping screw—Oval head	4	For use with 6100019
	9056050	Tapping screw, No. 10 × 3/8" "X" recess	4	For use with 1229884
	6100590	Bolt and lock washer assembly, 5/16" × 7/8"—Lever to control assembly	2	
B96	6100017	Trunnion ...	2	From B9471811
	9067028	Washer, 5/16" plain	2	
REAR MOUNTINGS				
CROSS TUBE ASSEMBLY				
B97	1224687	CROSS TUBE ASSEMBLY	1	Up to B9470056
	1224885	CROSS TUBE ASSEMBLY	1	From B9470057
	5220685	Screw, 3/8" UNF. × 5/8"	4	Mk. I
	5220686	Screw, 3/8" UNF. × 3/4"	4	
	9067108	Washer, 3/8" plain	4	Mk. II
	5200486	Washer, 3/8" spring	4	
		Insulator ...	4	Up to B9470056
		Plate—Rear support	4	
		Retainer—Engine support	4	From B9470057
B98	6100048	Insulator—Rear mounting	1	
	6100363	Bolt, 1/2" × 1-12" hex.	2	
	6100558	Lockwasher, 1/2"	2	
	6100559	Lockwasher, 7/8"	2	Insulator to Gearbox
	6100560	Nut, 7/8" lock	2	
	9067048	Washer, 7/8" plain	2	